



40W driver

- 1-10V dimmable driver
- Constant current
- IP Rating: IP20
- Warranty: 3 years
- Class II
- Certifications: CE, EMC, LVD, RoHS



40W driver

- Alimentatore dimmerabile 1-10V
- Corrente costante
- Grado di protezione: IP20
- Garanzia: 3 anni
- Classe II
- Certificazioni: CE, EMC, LVD, RoHS



40W driver

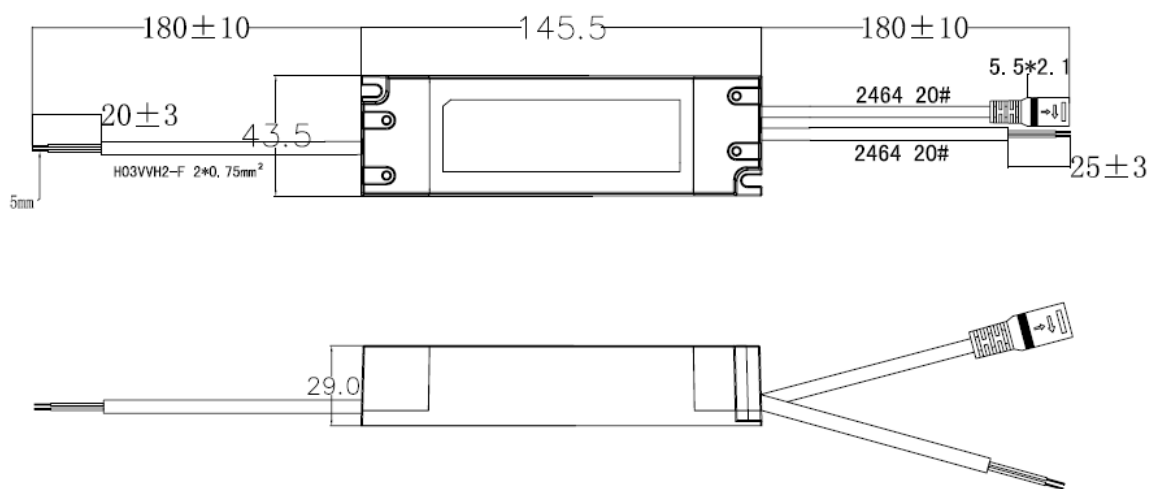
- 1-10V dimmbares Netzteil
- Konstantstrom
- IP-Schutzart: IP20
- Garantie: 3 Jahre
- Schutzklasse II
- Zertifizierungen: CE, EMC, LVD, RoHS



40W driver

- Alimentateur a l'intensité variable 1-10V
- Courant constant
- Indice de protection: IP20
- Garantie: 3 ans
- Classe II
- Certifications: CE, EMC, LVD, RoHS

Input	Output voltage	Output current	Efficiency (η)	PF	Dimmable	Class	Weight [kg]	Working Temperature [°C]	Storage Temperature [°C]	IP
100~277 Vac 50/60 Hz	27-42 Vdc	850 mA	≥ 0.85	≥ 0.9	0-10 V	II	0,185	-10~+50	-20~+60	20



mm[in]